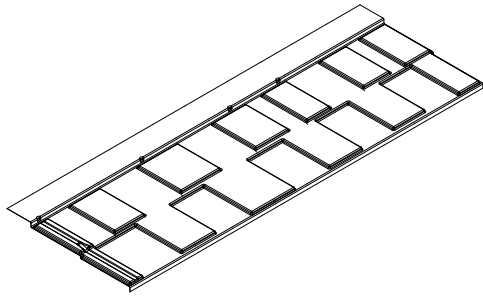
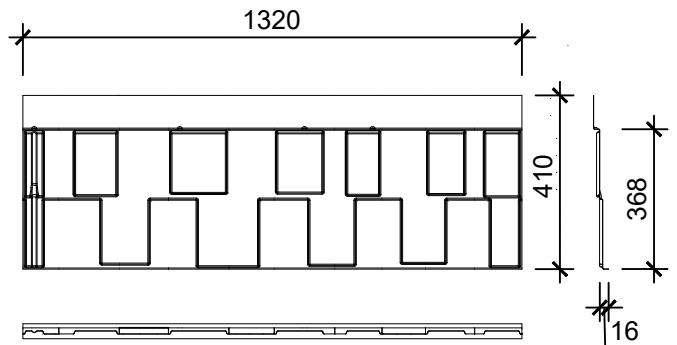
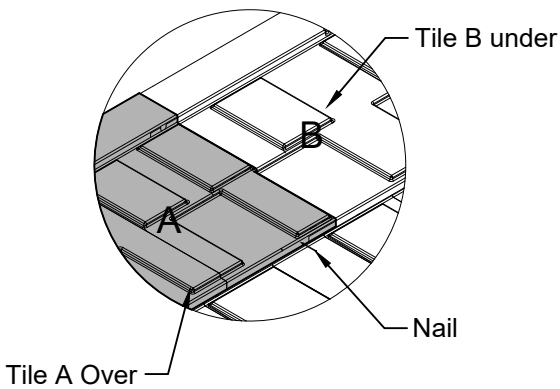
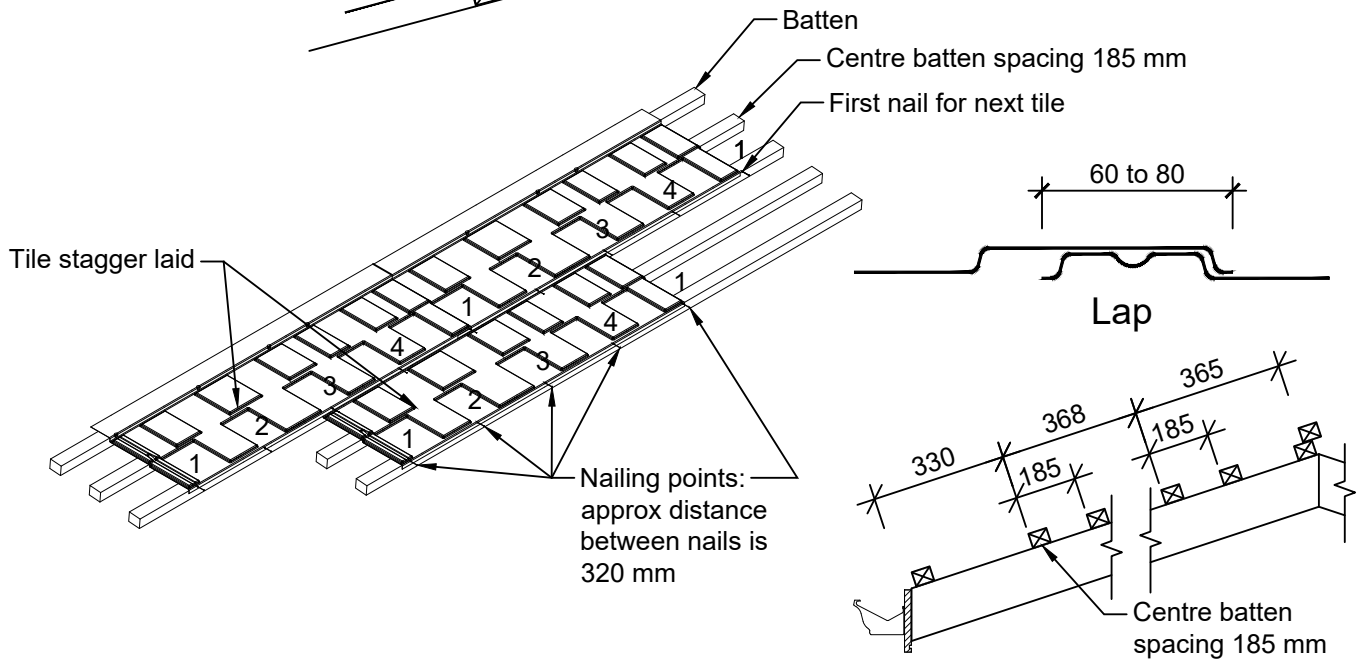
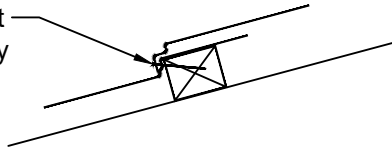


Dimension and Weights

Overall Length	1320 mm
Length of Cover	1250 mm
Width of Cover	368 mm
Upstand	16 mm
Roof Cover/Tile	0.46 m ²
Coverage	2.2 Tile/m ²
Weight/Unit	Texture 2.9kg



Nail to penetrate the front face of the batten midway down the tile nose.



Tile dimensions

Fixing

- The nose of each tile is held down at 5 points.
- This comprises 4 nails as per the diagrams plus the nailed overlap tile.

Fastening Tiles in Cyclone Areas.

- Where a building has been designed outside the scope of NZS 3604. Tiles on buildings with a wind load design of above 3.8 kPa should be fastened at approx 160 mm spacing (each module).