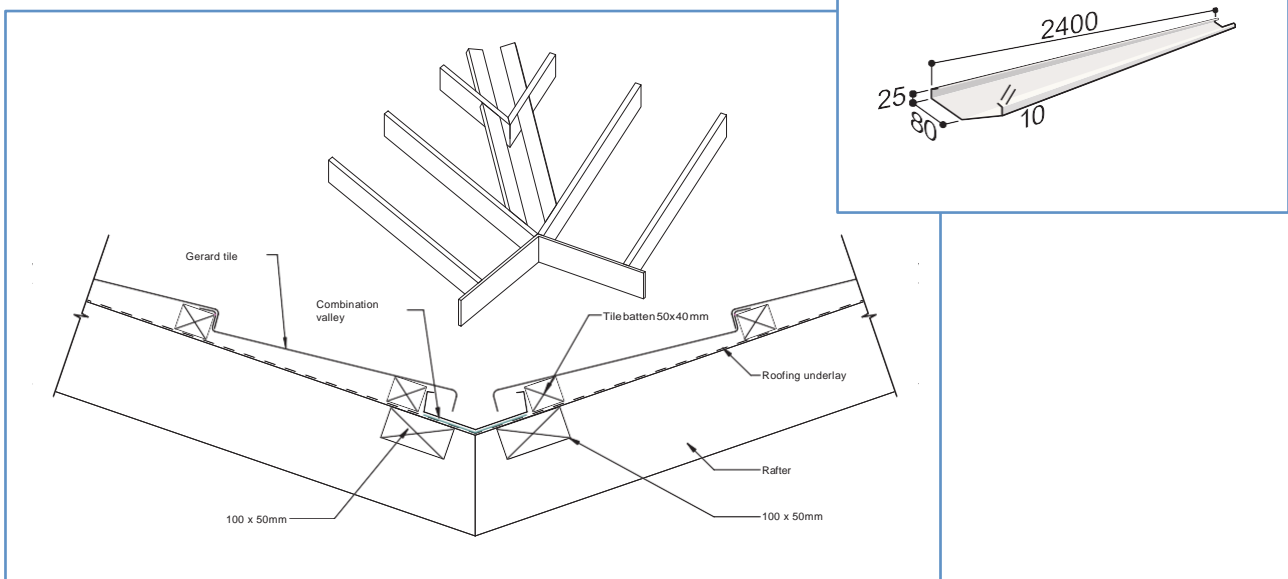


Builder's Valley Install Guide 2018

We are pleased to be installing your roof. Please note the following points to assist us all to be more cost effective. We ask that these be attended to before our Installers arrive on site.

Valley Boards

90 x 45 mm - position as shown in the diagram below.



Please ensure your builder receives this check list.

For further information please do not hesitate in contacting us.

Name:

Phone:

Name:

Phone:

Contracting managers