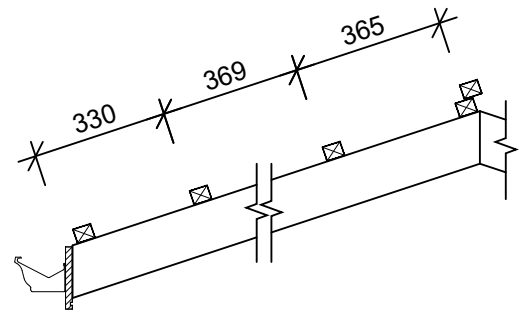
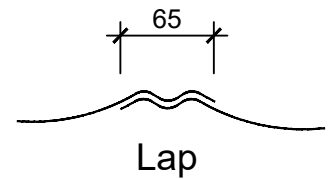
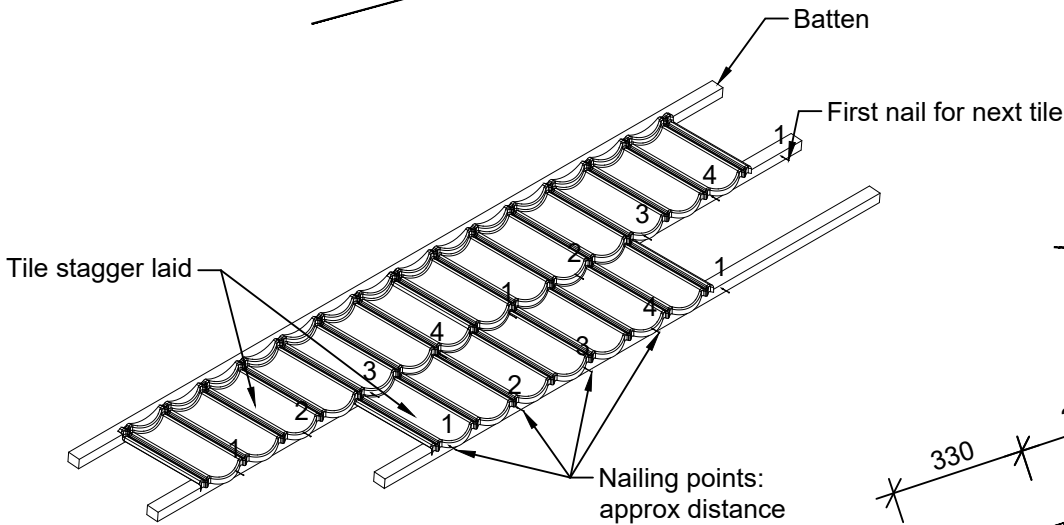
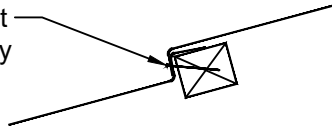


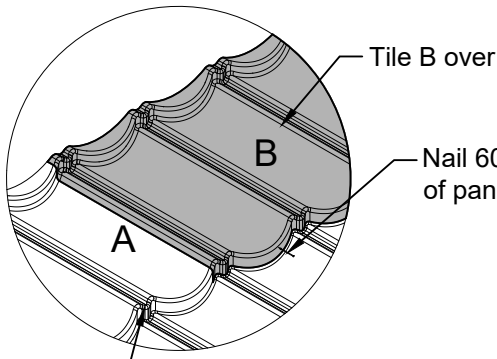
Dimension and Weights

Overall Length	1330 mm
Length of Cover	1257 mm
Width of Cover	369 mm
Upstand	28 mm
Roof Cover/Tile	0.46 m ²
Coverage	2.2 Tile/m ²
Weight/Unit	Texture 2.9kg, Satin 2.1kg

Nail to penetrate the front face of the batten midway down the tile nose.



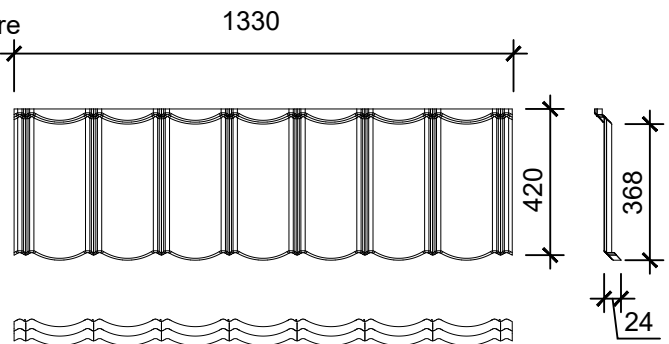
Batten setout



Nail 60 mm from centre of pan for all nails.

Tile A under

Nail 60 mm from centre of pan for all nails.



Dimensions

Fixing

- The nose of each tile is held down at 5 points.
- This comprises 4 nails as per the diagrams plus the nailed overlap tile.

Fastening Tiles in Cyclone Areas.

- Where a building has been designed outside the scope of NZS 3604. Tiles on buildings with a wind load design of above 3.8 kPa should be fastened at approx 160 mm spacing (each module).