



CF SLATE PANEL

Product Specification Detail

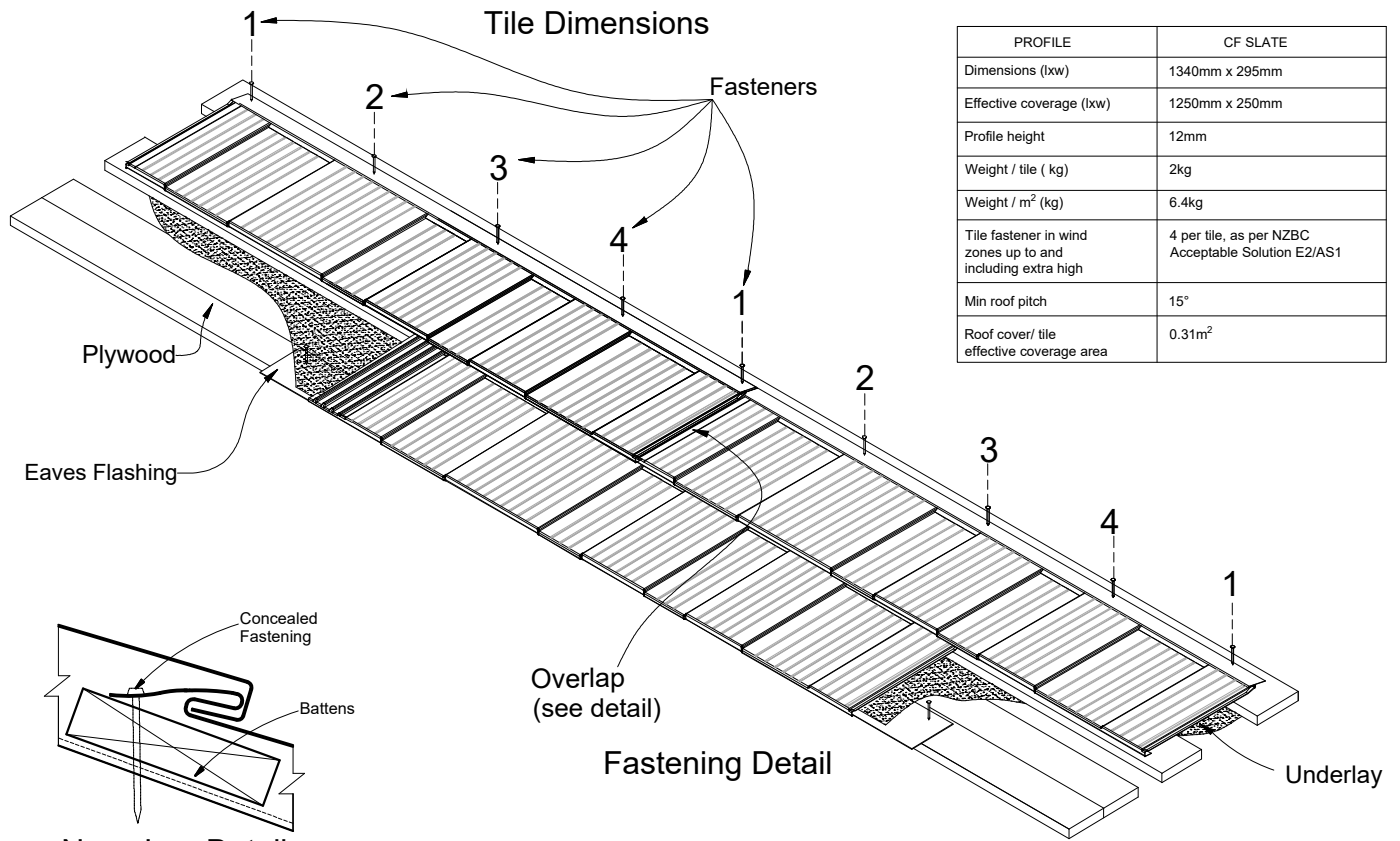
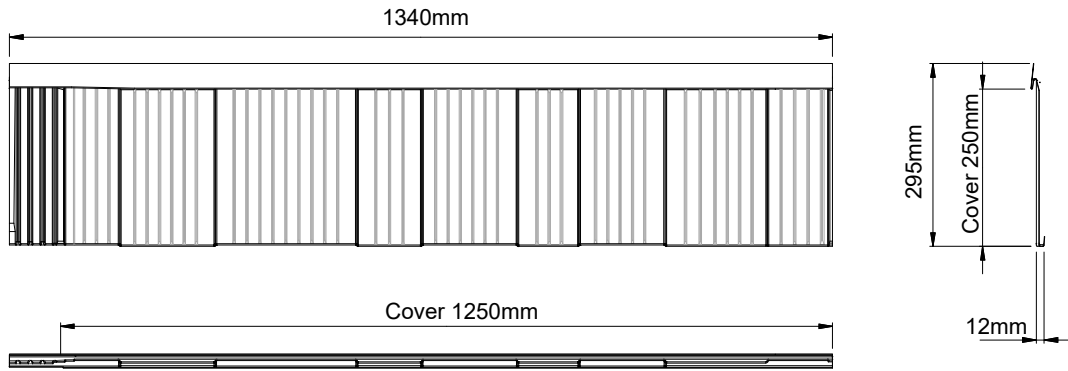
On Battens

Date: 2024

NZ: gerardroofs.co.nz
customerservice@gerardroofs.co.nz

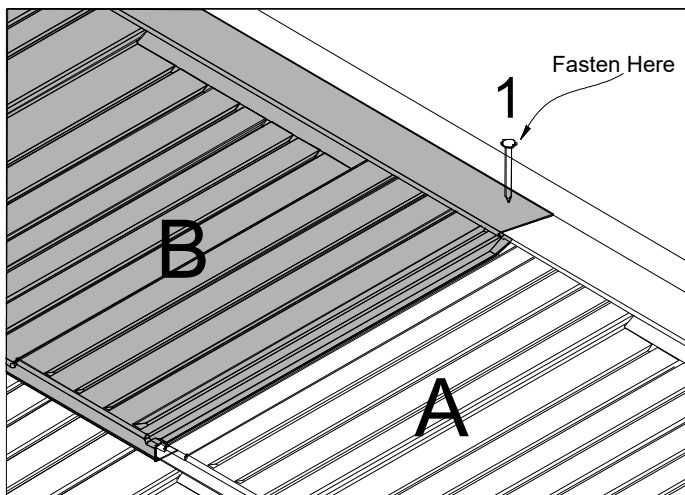
Code:
CFSLB_2008_PD_R01_02_2024

AUS: gerardroofs.com.au
info@gerardroofs.com.au



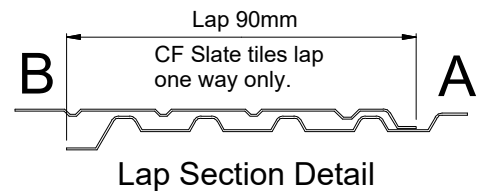
PROFILE	CF SLATE
Dimensions (lxw)	1340mm x 295mm
Effective coverage (lxw)	1250mm x 250mm
Profile height	12mm
Weight / tile (kg)	2kg
Weight / m ² (kg)	6.4kg
Tile fastener in wind zones up to and including extra high	4 per tile, as per NZBC Acceptable Solution E2/AS1
Min roof pitch	15°
Roof cover/ tile effective coverage area	0.31m ²

Nose Lap Detail

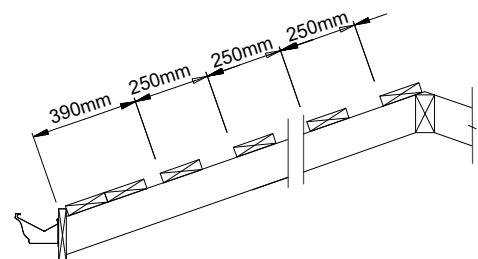


Tile 'B' is always over Tile 'A'.

Overlap Detail



Lap Section Detail



Batten Layout