



# CF SHAKE PANEL

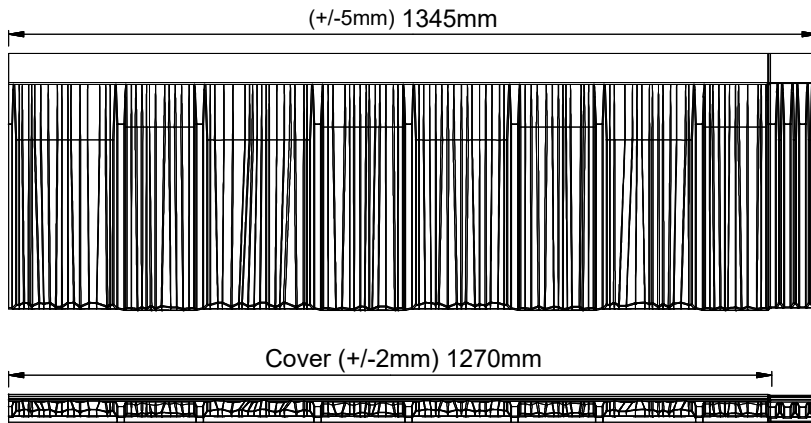
## Product Specification Detail On Plywood Substrate

Date: 2024

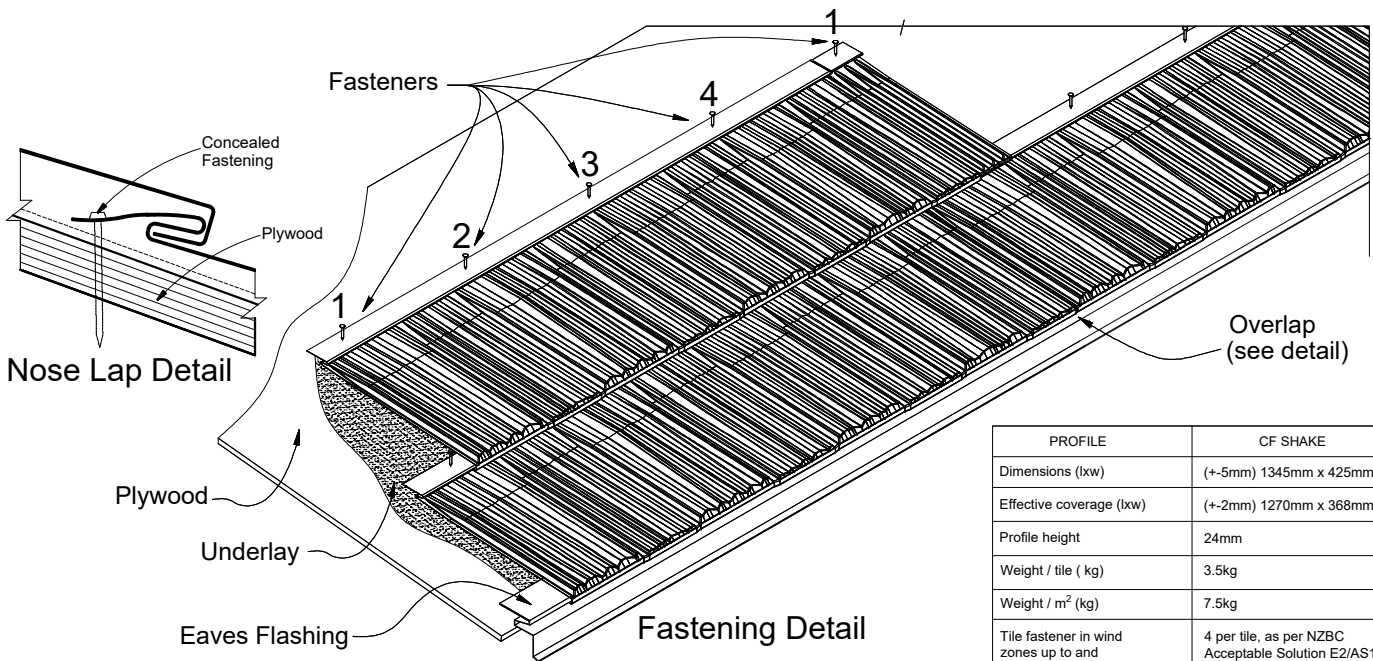
NZ: gerardroofs.co.nz  
customerservice@gerardroofs.co.nz

Code:  
CFSKP\_200A\_PD\_R01\_01\_2024

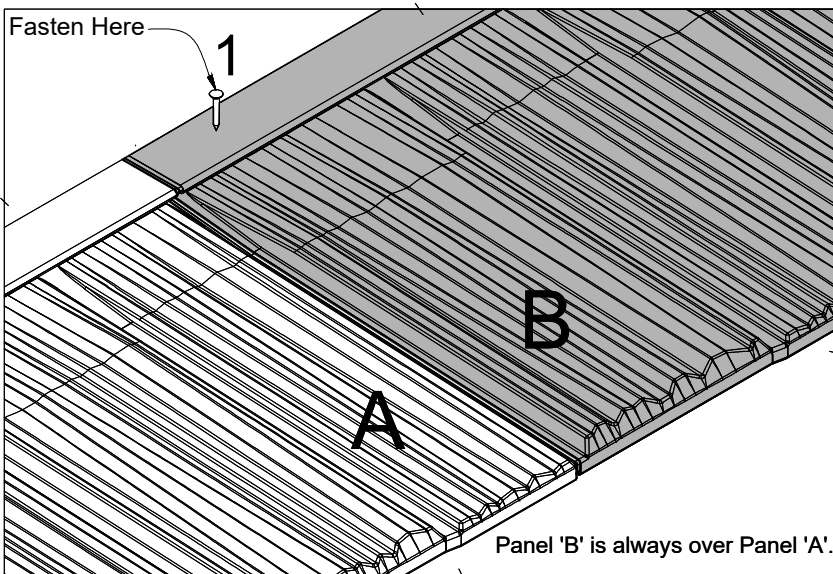
AUS: gerardroofs.com.au  
info@gerardroofs.com.au



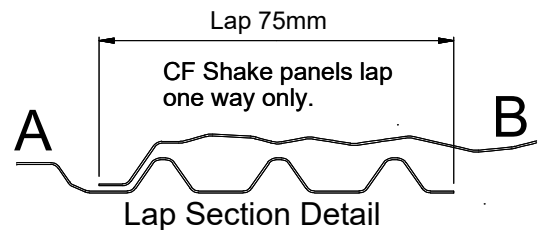
Tile Dimensions



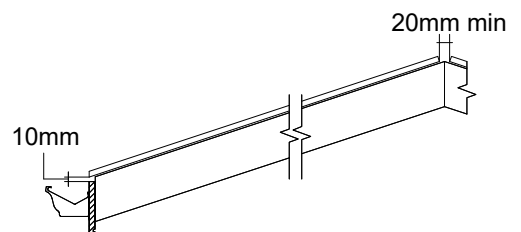
PROFILE	CF SHAKE
Dimensions (lxw)	(+/-5mm) 1345mm x 425mm
Effective coverage (lxw)	(+/-2mm) 1270mm x 368mm
Profile height	24mm
Weight / tile ( kg )	3.5kg
Weight / m <sup>2</sup> (kg)	7.5kg
Tile fastener in wind zones up to and including extra high	4 per tile, as per NZBC Acceptable Solution E2/AS1
Min roof pitch	15°
Roof cover/ tile effective coverage area	0.47m <sup>2</sup>



Overlap Detail



Lap Section Detail



Plywood Layout